

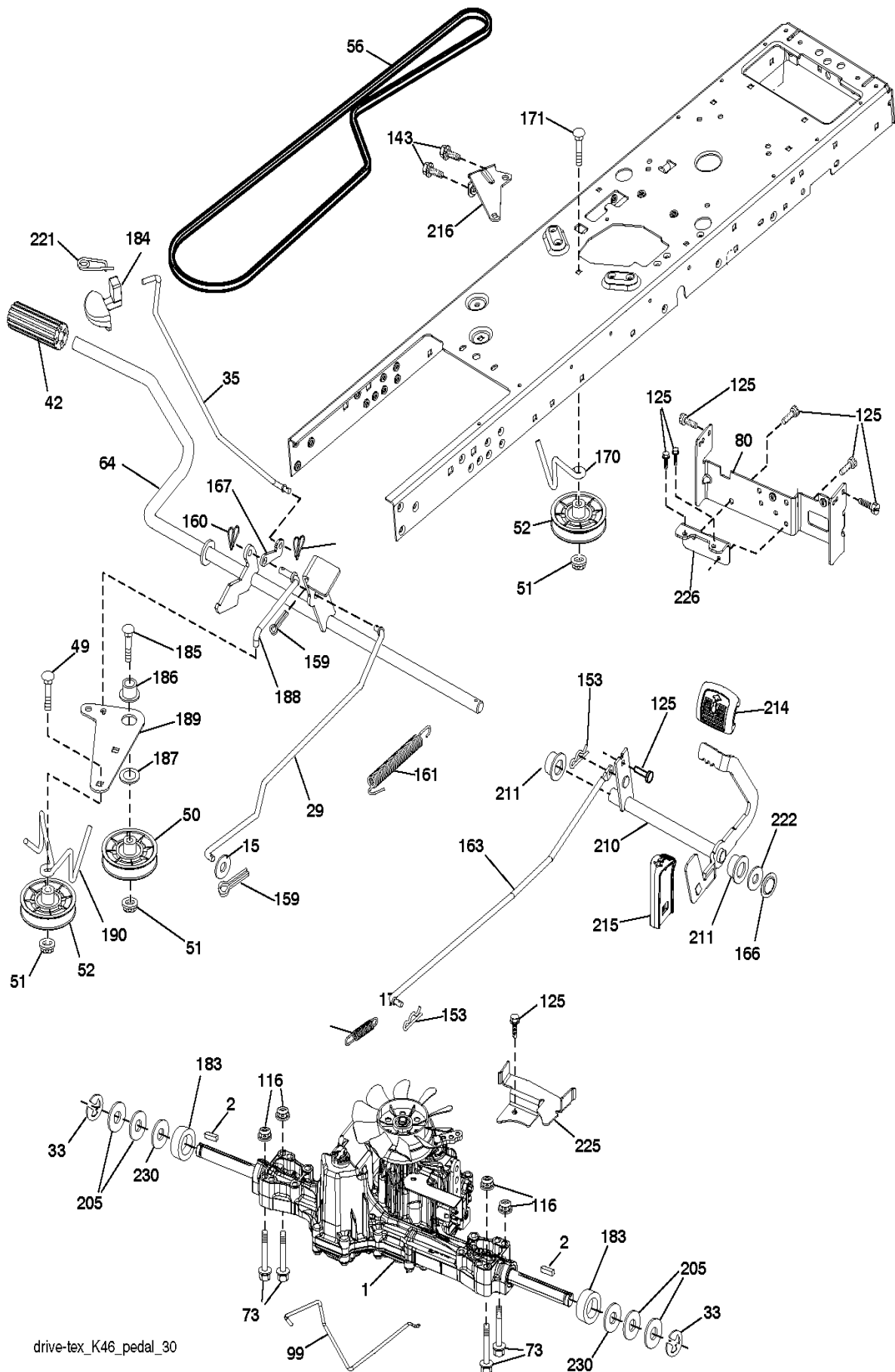
**HUSQVARNA - SPARE PARTS CATALOG**  
**TRACTORS/RIDE MOWERS: RALLY REB15538**

Sparepartslist

# **SPAREPARTSLIST**

TRACTORS/RIDE MOWERS

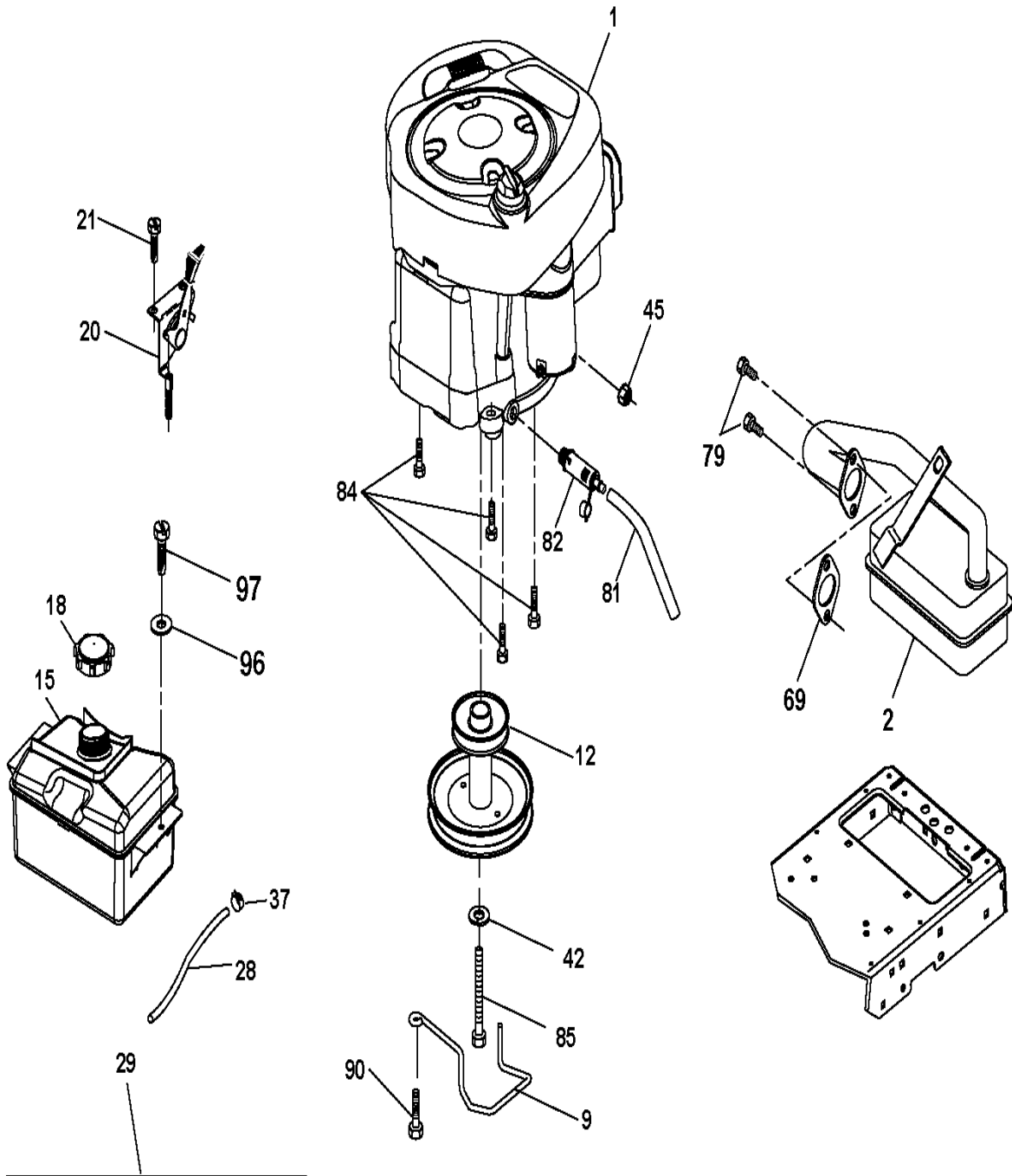
RALLY REB15538



drive-tex\_K46\_pedal\_30

TRACTORS/RIDE MOWERS

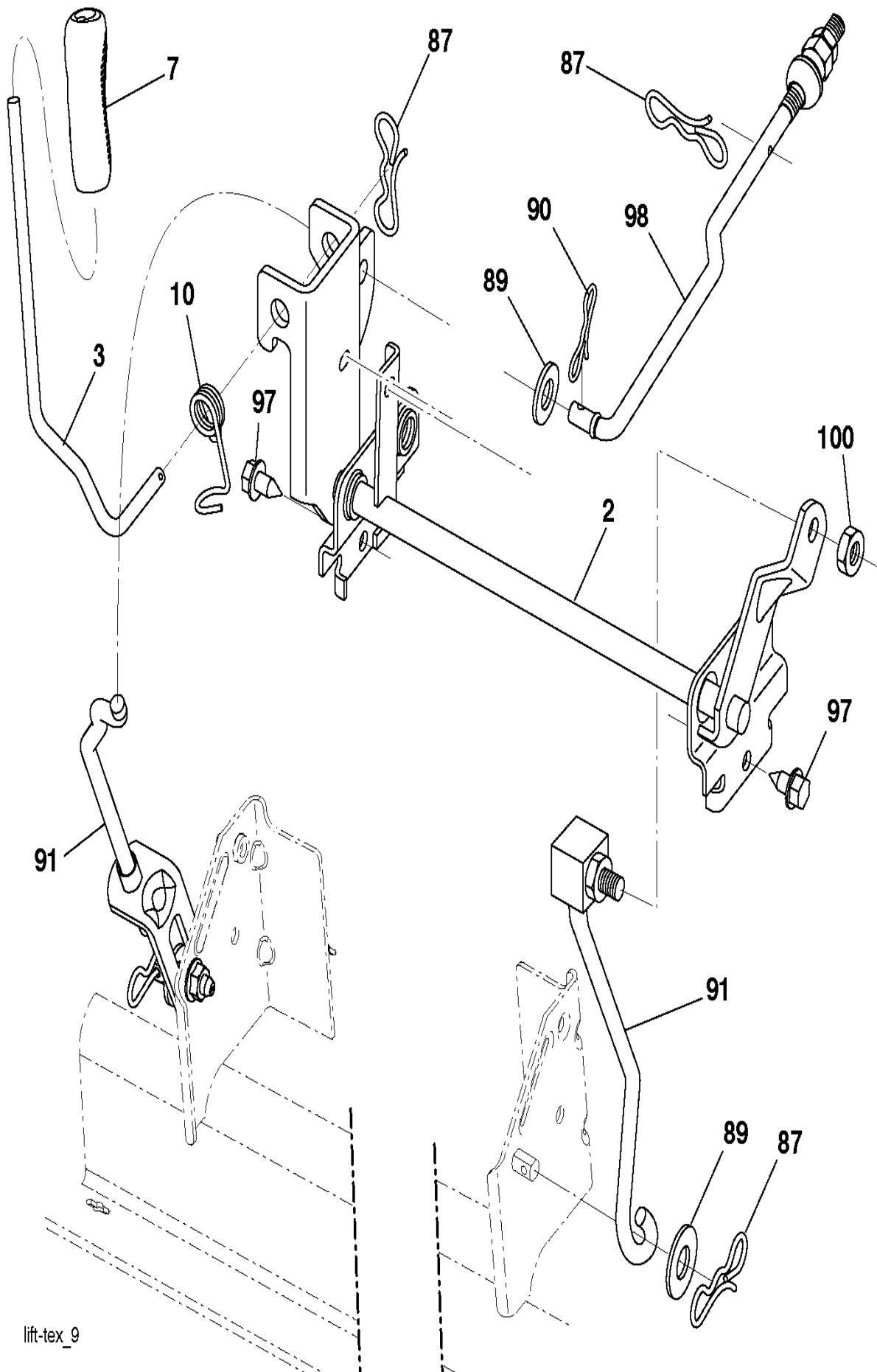
PXM_REF	PXM_PARTNO	DESCRIPTION	PXM_REMARK	QTY
1				1
2	532123583	KEY		1
15	819131316	WASHER		1
17	532413678	SRPING.BRAKE.K46.GREEN*SUBS/2*		1
29	532403806	ROD		1
33	812000001	RETAINER RING		1
35	532197722	ROD		1
42	532124872	PEDAL RUBBER		1
49	872110614	BOLT		1
50	532194327	PULLEY		1
51	873900600	NUT		1
52	532194326	PULLEY		1
56	532130969	BELT		1
64	532197865	SHAFT		1
73	874490544	SCREW		1
80	532410024	STRAP TORQUE		1
99	532415742	ROD		1
116	873900500	NUT		1
125	817000512	SCREW		1
153	532124788	RETAINER RING		1
159	876020412	SPLIT PIN		1
160	532169484	PIN		1
161	532105709	SPRING		1
163	532401034	ROD		1
166	532197290	NUT		1
167	532405257	LATCH		1
170	532194322	KEEPER		1
171	872110616	BOLT		1
183	532137057	SPACER		1
184	532411289	KNOB		1
185	872110620	BOLT		1
186	532194321	SPACER		1
187	819133210	WASHER		1
188	532194323	LINK		1
189	532194317	PLATE		1
190	532194318	BELT GUIDE		1
205	532121748	WASHER		1
208	532194732	PLATE		1
210	532400980	PEDAL ARM		1
211	532120183	BEARING		1
214	532401722	PEDAL		1
215	532401723	PEDAL		1
221	532403187	RETAINER SPRING		1
222	879212010	WASHER		1
225	532403319	BELT GUIDE		1
226	532401564	BRACKET		1
230	532188967	WASHER		1



OPTIONAL EQUIPMENT  
Spark Arrester

TRACTORS/RIDE MOWERS

PXM_REF	PXM_PARTNO	DESCRIPTION	PXM_REMARK	QTY
1				1
2	532137352	MUFFLER		1
9	532194320	BELT GUIDE		1
12	532405471	PULLEY		1
15	532407545	FUEL TANK		1
18	532197725	PLUG		1
20	532183897	CONTROL		1
21	532416358	SCREW		1
28	532137040	HOSE		1
29	532137180	SPARK ARRESTER KIT		1
37	532123487	HOSE CLAMP		1
42	810040700	WASHER		1
45	873510400	NUT		1
69	532165291	GASKET		1
79	532192334	SCREW		1
81	532148456	TUBE		1
82	532181654	PLUG		1
84	817060620	SCREW		1
85	532173937	BOLT		1
90	817000616	SCREW		1
96	819091416	WASHER		1
97	817670412	SCREW		1

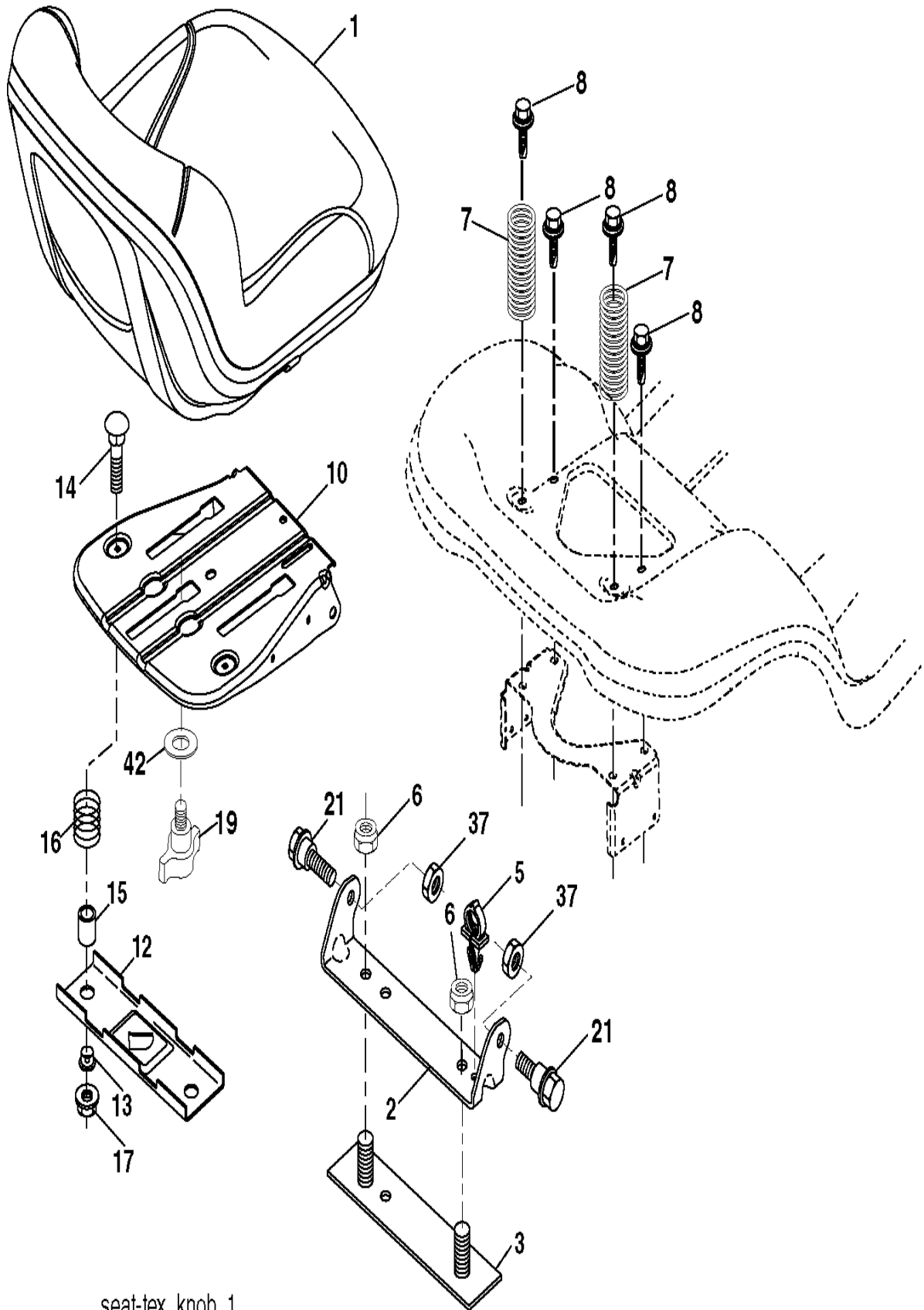


TRACTORS/RIDE MOWERS

---

PXM_REF	PXM_PARTNO	DESCRIPTION	PXM_REMARK	QTY
2	532195223	SHAFT		1
3	532195231	LEVER		1
7	532411555	GRIP		1
10	532196314	SPRING		1
87	532194209	SPRING		1
89	819191912	WASHER		1
90	532194208	PIN		1
91	532195181	LINK		1
97	817000612	SCREW		1
98	532195270	LINK		1
100	873930600	NUT		1



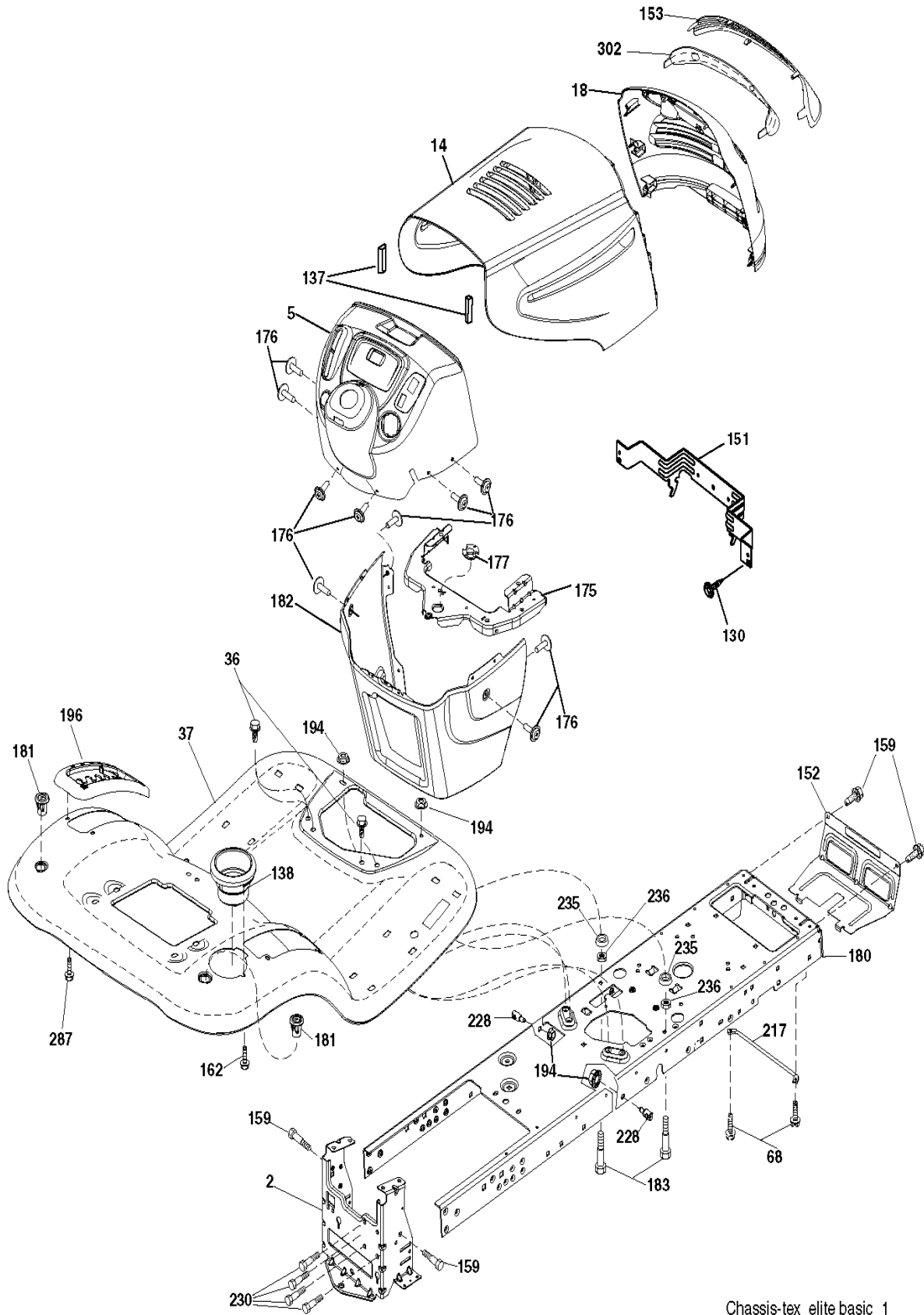


seat-tex\_knob\_1

TRACTORS/RIDE MOWERS

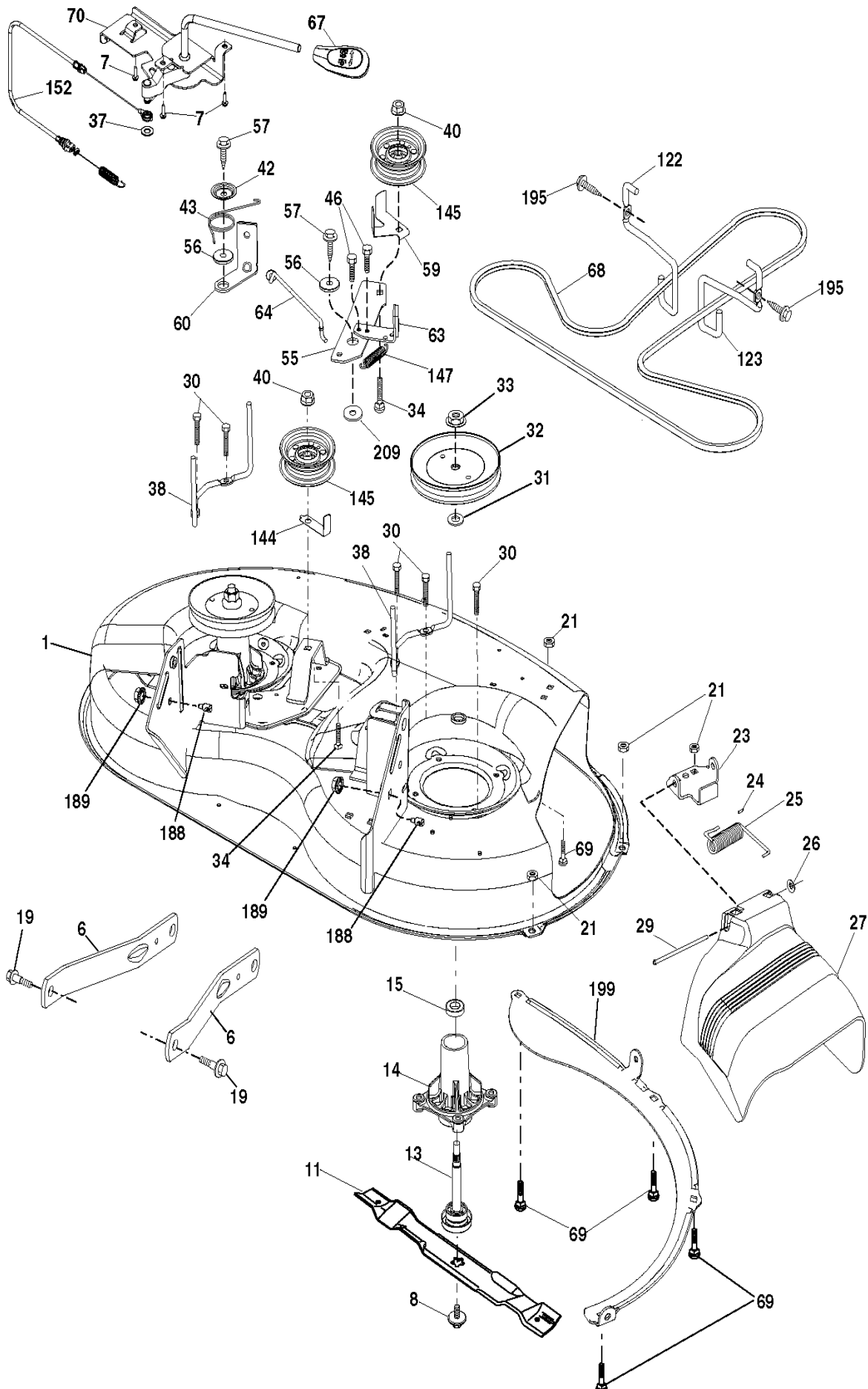
---

PXM_REF	PXM_PARTNO	DESCRIPTION	PXM_REMARK	QTY
1	532197511	SEAT		1
2	532180166	BRACKET		1
3	532140675	STRAP		1
5	532145006	CLIP		1
6	873800600	NUT		1
7	532124181	SPRING		1
8	532171877	BOLT		1
10	532199180	PLATE		1
12	532199370	BRACKET		1
13	532121248	BUSHING		1
14	872050412	BOLT		1
15	532134300	SPACER		1
16	532123740	SPRING		1
17	532123976	LOCKNUT		1
19	532199372	KNOB		1
21	532171852	BOLT		1
37	873800500	LOCK NUT		1
42	532199371	WASHER		1



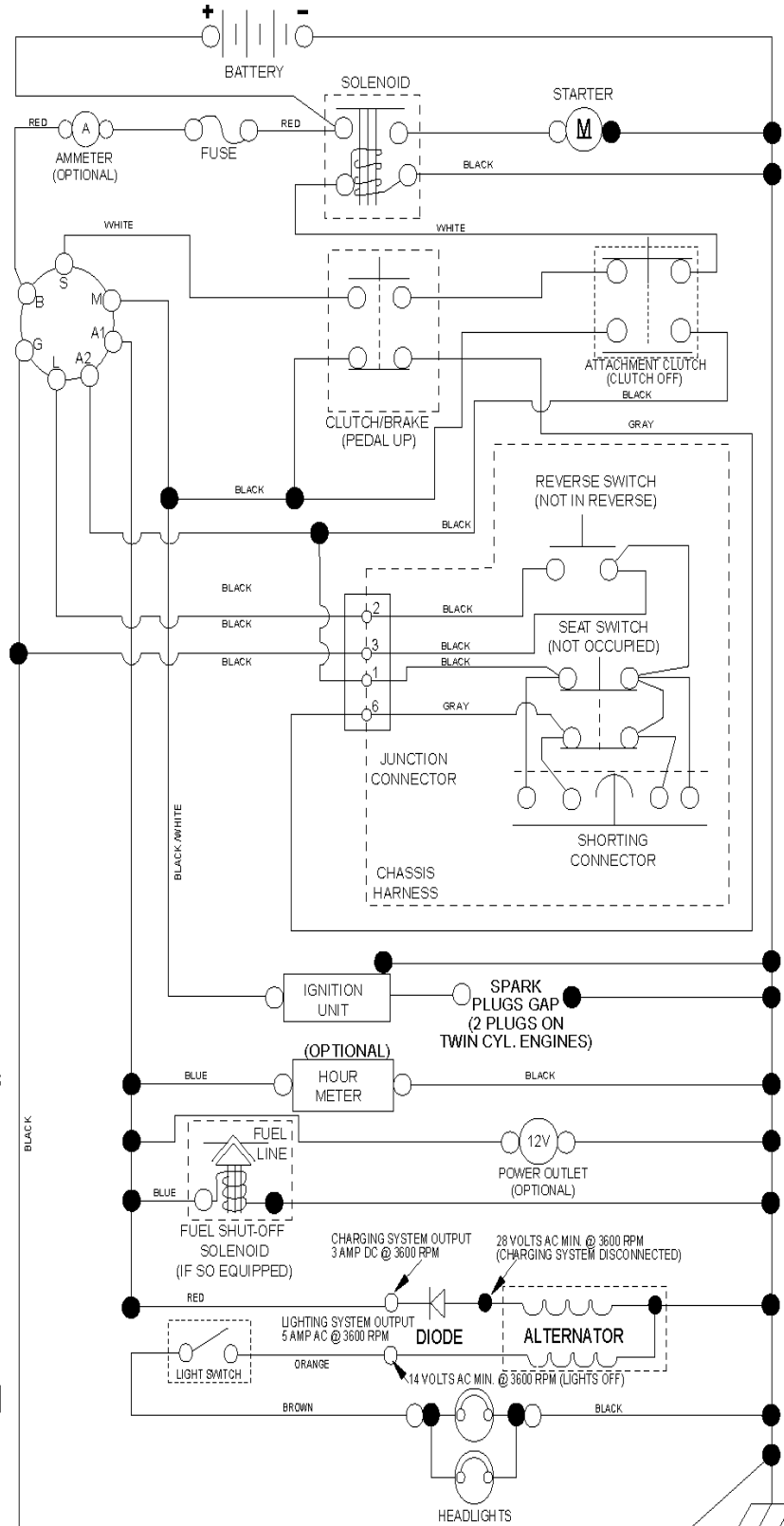
TRACTORS/RIDE MOWERS

PXM_REF	PXM_PARTNO	DESCRIPTION	PXM_REMARK	QTY
2	532194263	PLATE		1
5	532411764	DASH		1
14	532186707	HOOD PNT		1
18	532183826	GRILLE ASM.		1
36	817060512	SCREW		1
37	532420797	FENDER		1
68	817490508	SCREW		1
130	532416358	SCREW		1
137	532184921	BUMPER		1
138	532409730	CONSOLE		1
151	532407807	BRACKET		1
152	532194329	SHIELD		1
153	532189837	LENS GRILLE		1
159	817000612	SCREW		1
162	532142432	SCREW		1
175	532193243	PLATE		1
176	532400776	SCREW		1
177	532195228	BUSHING		1
180	532194260	CHASSIS		1
181	532404796	BUSHING		1
182	532193057	PANEL		1
183	874780520	BOLT		1
194	873900500	NUT		1
196	532414579	CONSOLE		1
213	874760512	BOLT		1
217	532409167	ROD		1
228	532195161	STUD		1
230	532170165	BOLT		1
235	532406129	SPACER		1
236	873930500	NUT		1
287	817600406	SCREW		1
302	532183823	INSERT LENS REFLECT		1

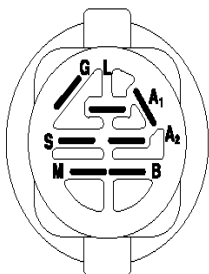


TRACTORS/RIDE MOWERS

PXM_REF	PXM_PARTNO	DESCRIPTION	PXM_REMARK	QTY
1	532194251	HOUSING		1
5	532124670	RETAINING RING		1
6	532195186	ARM		1
7	532416358	SCREW		1
8	532193003	SCREW		1
11	532193957	RIDE ON BLADE		1
13	532192872	SHAFT ASSY		1
14	532187281	BEARING HOUSING		1
15	532110485	BEARING		1
19	532196539	BOLT		1
21	873680500	NUT		1
23	532192557	HINGE		1
24	532105304	HUB CAP		1
25	532197026	TORSION SPRING		1
26	532110452	NUT		1
27	532401472	DEFLECTOR		1
29	532131491	SHAFT		1
30	532173984	SCREW		1
31	532187690	WASHER		1
32	532199789	PULLEY		1
33	532400234	NUT		1
34	872110612	BOLT		1
37	819131316	WASHER		1
38	532199541	BELT GUIDE		1
40	873900600	NUT		1
42	532198410	SPRING		1
43	532197256	SPRING		1
46	532137729	SCREW		1
55	532197249	ARM		1
56	532199092	SPACER		1
57	817000616	SCREW		1
59	532141043	GUARD		1
60	532199471	ARM		1
63	532199470	ARM		1
64	532199790	LINK		1
67	532403012	HANDLE		1
68	532408381	BELT		1
69	872140505	BOLT		1
70	532198332	CLUTCH		1
122	532197258	BELT GUIDE		1
123	532197259	BELT GUIDE		1
144	532193414	BELT GUIDE		1
145	532193197	PULLEY		1
147	532401872	SPRING		1
151	532198331	BRACKET		1
152	532408714	CABLE		1
188	532195161	STUD		1
189	873900500	NUT		1
195	817000612	SCREW		1
199	532400095	BAFFLE		1
209	819133210	WASHER		1
--	532192870	SPINDLE	NOT SHOWN	1
--	532400422	CUTTING DECK	NOT SHOWN	1

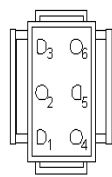


**NOTE**  
 YOUR TRACTOR IS EQUIPPED WITH A SPECIAL ALTERNATOR SYSTEM. THE LIGHTS ARE NOT CONNECTED TO THE BATTERY, BUT HAVE THEIR OWN ELECTRICAL SOURCE. BECAUSE OF THIS, THE BRIGHTNESS OF THE LIGHTS WILL CHANGE WITH ENGINE SPEED. AT IDLE THE LIGHTS WILL DIM. AS THE ENGINE IS SPEEDED UP, THE LIGHTS WILL BECOME THEIR BRIGHTEST.

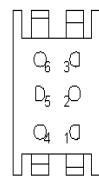


**IGNITION SWITCH**

POSITION	CIRCUIT	"MAKE"
OFF	M+G+A1	
RUN/OVERRIDE	B+A1	
RUN	B+A1	L+A2
START	B+S+A1	



CHASSIS HARNESS CONNECTOR (MATING SIDE)



DASH HARNESS CONNECTOR (MATING SIDE)

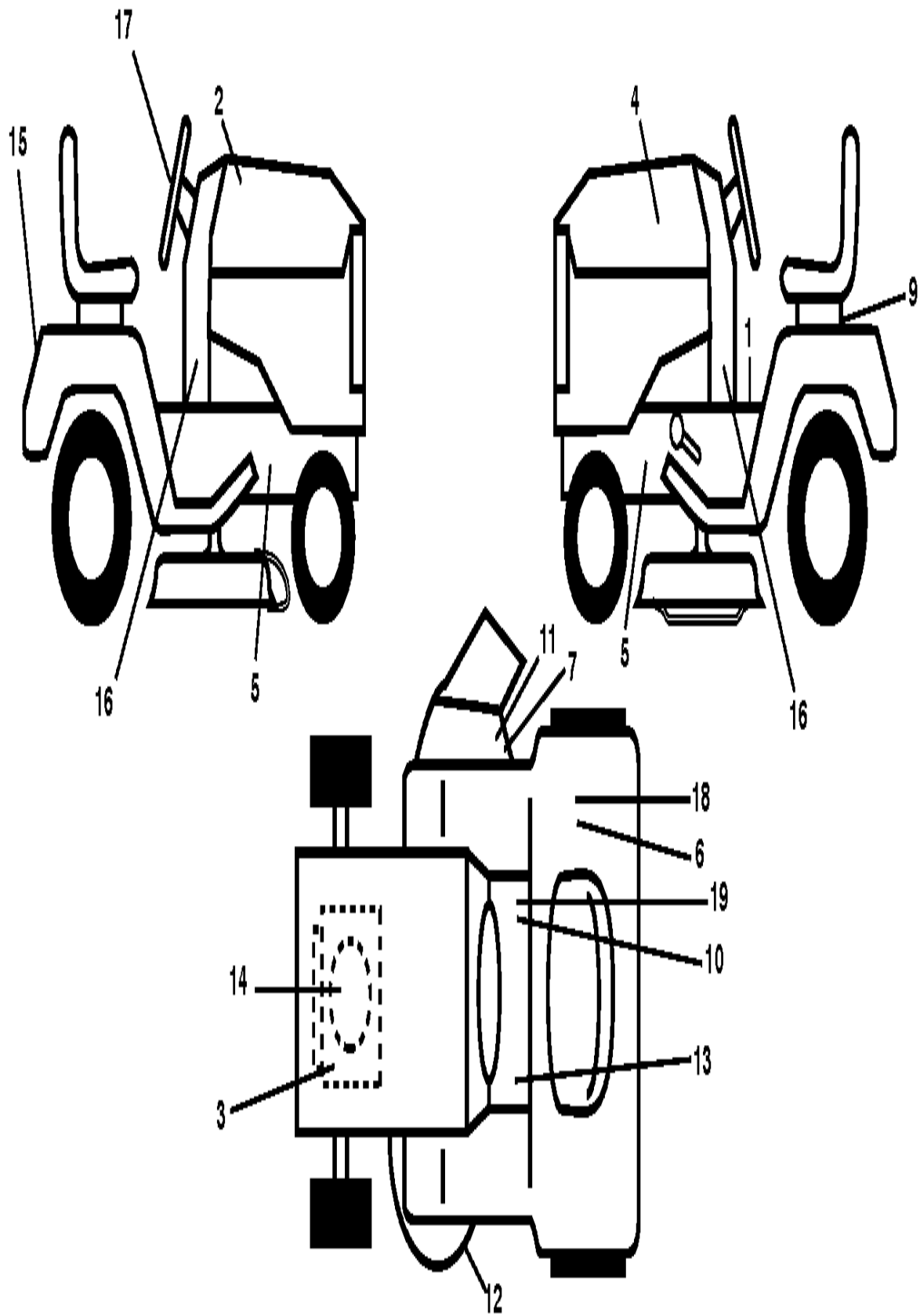
**WIRING INSULATED CLIPS**  
 NOTE: IF WIRING INSULATED CLIPS WERE REMOVED FOR SERVICING OF UNIT, THEY SHOULD BE RE-INSTALLED TO PROPERLY SECURE YOUR WIRING.

● NON-REMOVABLE CONNECTIONS

○ REMOVABLE CONNECTIONS

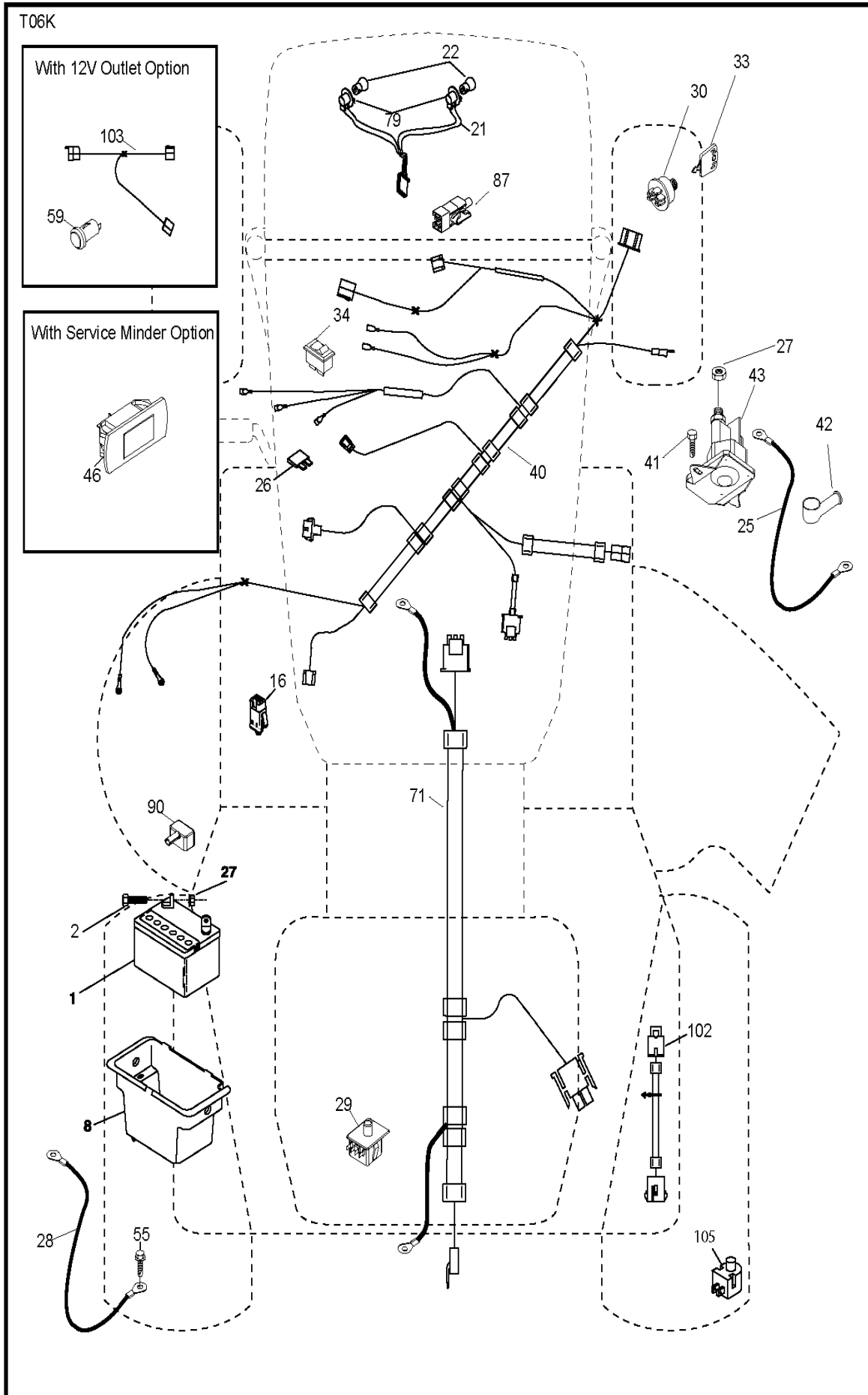






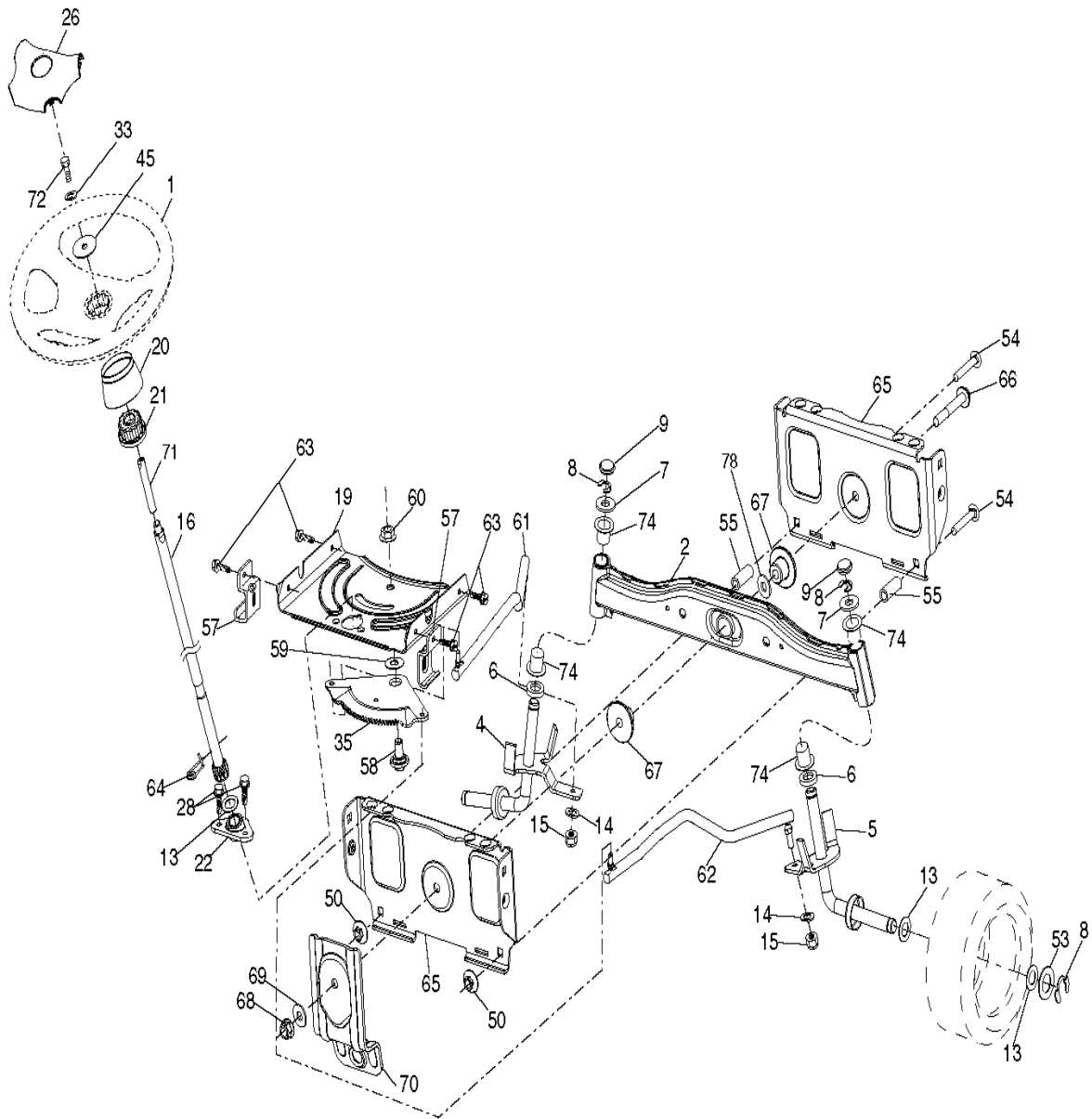
TRACTORS/RIDE MOWERS

PXM_REF	PXM_PARTNO	DESCRIPTION	PXM_REMARK	QTY
1	532400389	LABEL		1
2	532187620	LABEL		1
3	532196841	DECAL		1
4	532187621	LABEL		1
5	532159736	DECAL		1
6	532124433	DECAL		1
7	532196357	DECALC.'DANGER DEFLECTEUR'		1
9	532145005	DECAL		1
10	532140837	DECAL		1
11	532182166	DECAL		1
12	532194302	DECALC.SCHEMA MONTAGE		1
13	532159737	DECAL		1
14	532408817	LABEL		1
15	532181146	DECALC.AILE ARRIERE		1
16	532420504	DECAL		1
17	532186660	DECAL		1
18	532168869	DECAL		1
19	532178302	DECAL		1
--	532162598	DECAL	NOT SHOWN	1
--	532166960	DECAL	NOT SHOWN	1
--	532409505	PAD	NOT SHOWN	1
--	532409507	PAD	NOT SHOWN	1
--				1



TRACTORS/RIDE MOWERS

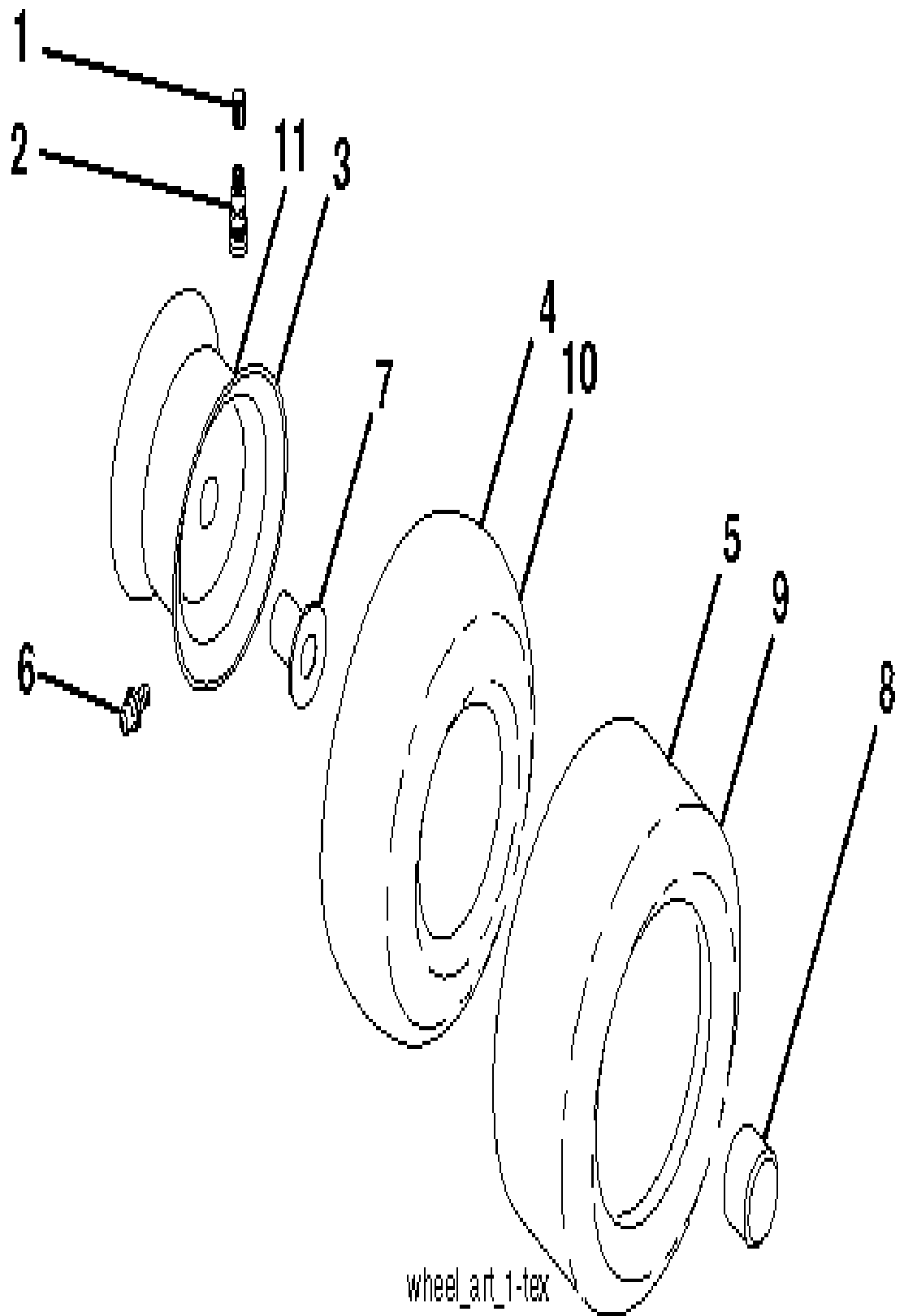
PXM_REF	PXM_PARTNO	DESCRIPTION	PXM_REMARK	QTY
1	532163465	BATTERY		1
2	874760412	BOLT		1
8	532193228	BOX		1
16	532176138	MICRO SWITCH		1
21	532183759	HARNES		1
22	532004152	BULB		1
25	532401662	CABLE		1
26	532175158	FUSE		1
27	873510400	NUT		1
28	532198885	CABLE		1
29	532192749	SWITCH SEAT DP W/RAMPS		1
30	532193350	IGNITION MODULE		1
33	532411933	KEY		1
34	532110712	SWITCH		1
40	532401098	CABLE		1
41	817720408	SCREW		1
42	532131563	COVER		1
43	532192507	SOLENOID		1
55	817060512	SCREW		1
71	532400449	CABLE		1
79	532175242	HOLDER		1
87	532197802	SWITCH		1
90	532400725	COVER		1
102	532404454	CABLE		1
105	532407568	SWITCH		1



Steering-tex\_LEGND2\_24

TRACTORS/RIDE MOWERS

PXM_REF	PXM_PARTNO	DESCRIPTION	PXM_REMARK	QTY
1	532194595	STEERING WHEEL		1
2	532418168	AXLE		1
4	532403087	SPINDLE		1
5	532403088	SPINDLE		1
6	532124931	WASHER		1
7	532121748	WASHER		1
8	812000029	RETAINER RING		1
9	532121232	HUB CAP		1
13	532121749	WASHER		1
14	810040600	WASHER		1
15	873540600	NUT		1
16	532196074	SHAFT		1
19	532194729	PLATE		1
20	532411291	STEERING COLUMN		1
21	532186737	ADAPTER		1
22	532194845	BUSHING		1
26	532194603	HUB		1
28	817000612	SCREW		1
33	810040500	WASHER		1
35	532194732	PLATE		1
45	819183812	WASHER		1
50	873900600	NUT		1
53	532188967	WASHER		1
54	874760636	BOLT		1
55	532414736	SPACER		1
57	532407465	BRACKET		1
58	532194747	BOLT		1
59	532194748	WASHER		1
60	873971000	NUT		1
61	532194740	LINK		1
62	532194741	LINK		1
63	817000512	SCREW		1
64	532199849	SPRING RETAINER		1
65	532194734	BRACKET		1
66	871020748	BOLT		1
67	532194737	BUSHING		1
68	873900700	NUT		1
69	532199162	WASHER		1
70	532196197	BRACKET		1
71	532196075	SHAFT		1
72	874780572	BOLT		1
74	532124739	BAND		1
78	532057079	WASHER		1



TRACTORS/RIDE MOWERS

---

PXM_REF	PXM_PARTNO	DESCRIPTION	PXM_REMARK	QTY
1	532059192	CAP VALVE		1
2	532065139	NIPPLE		1
3	532183337	RIM		1
4	532059904	HOSE		1
5	532106222	TIRE		1
6	532124957	FITTING		1
7	532124959	BEARING		1
8	532175039	HUB CAP		1
9	532138468	TIRE		1
10	532124926	HOSE		1
11	532183338	RIM ASM 8' REAR SERVIC		1
--	532144334	SEALING FOAM	NOT SHOWN	1
	PXM_PARTNO		PXM_REMARK	